

## Product Highlights

### Easy transport

★The unique rear mast slide and lightweight design make this model easy to load into a light truck. Outrigger storage, wide forklift handling slots, transport fixing holes and crane lifting lug holes increase the convenience of transportation.

### Sturdy mast and platform

★The sturdy aviation aluminum profile mast provides users with comfort and safety at any height.

### Doorway passing ability and flexible maneuverability

★This series of models (except AMP40) can easily pass through standard doorways without tilting.

### Closer working distance

★The compact X-shaped foot point allows the machine to get closer to the wall, so that the operator is only an arm's length away from the work point.



## Standard Features

Aluminum platform basket	Lower beeper warning
Polyurethane non-mark tyres	Tilt device (only for AMP40)
Leverage ro-ro device	Maintenance-free Battery
Lifting ears	Emergency Lower Down
Two controls: platform control and ground control	Outrigger storage frame

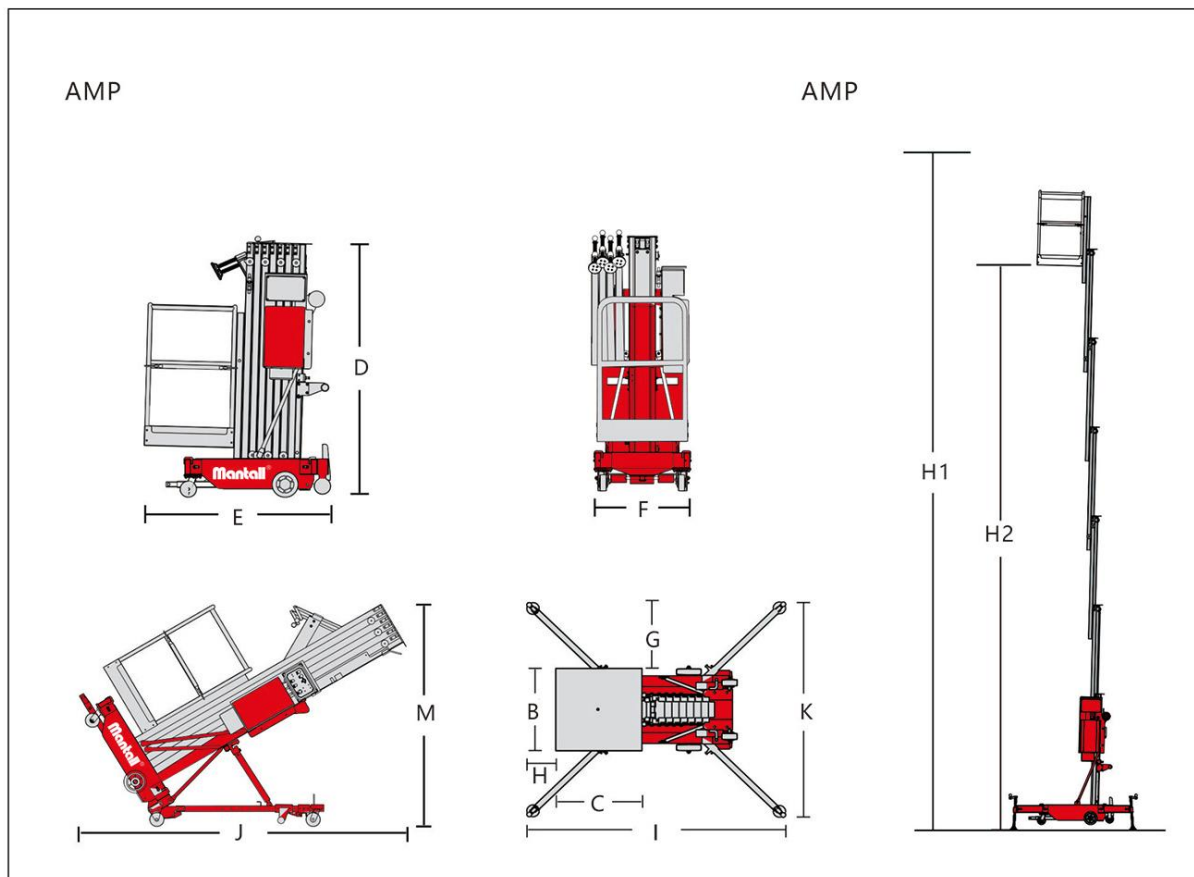
## Options Features

Door type standard/ narrow platform	Tool box
Fiber glass platform	Top limit protection auto-stop device
DC power	Working Flashing Light
Staircase bracket	Equipment protection cover



**AMP SERIES**  
**AMP-32**  
PORTABLE TYPE AERIAL WORK PLATFORM

Model	<b>AMP32</b>	
Dimension	Metric	Imperial
Max. Working Height m H1	12m	39ft 4in
Max. Platform Height m H2	10m	32ft 10in
Lift capacity kg	159kg	350.53 lb
Basket size (B*C) m	0.69m×0.68m	2ft3in×2ft3in
Stowed size (E*F*D) m	1.42m×0.78m×1.97m	4ft8in×2ft7in×6ft6in
Height, tilted back (M) m	—	—
Length, tilted back (J) m	—	—
Outrigger footprint (I*K) m	1.99m×1.72m	6ft6in×5ft8in
Wall access front/side m H*G	0.23m/0.55m	9in/22in
Power (AC/DC)	220V/110V/12V	220V/110V/12V
Weight (AC/DC)	427kg/477kg	941lb/1052lb



The images in this manual are for illustration only, and all copyrights belong to our company. Due to continuous technological updates, product parameters may change without prior notice.

