

## Product Highlights

### Efficient and Energy-Saving

★The entire series adopts a hydraulic load sensitive system with characteristics of on-demand functions, energy efficiency, low system heating, and long service life.

### Intelligent Control

- ★The product is controlled by a proportional handle, with more operations controlled by electro-hydraulic proportional control, featuring smooth action and stronger micro movement.
- ★The product comes standard with an IOT system, paired with an intelligent large screen, allowing users to easily control device status anytime, anywhere, and achieve easy device management

### Safe and Reliable

- ★The entire series is equipped with a maximum working angle of 5 degrees as standard, with stronger adaptability to the working range and site
- ★Our product is equipped with floating bridge, which can ensure real-time four-wheel landing and easily handle uneven road conditions, making it safer and more reliable



## Standard Features

Hydraulic leveling platform	5-inch super-scale colour screen	Dual speed motor
180° hydraulic rotation platform	Diagnosis system	4 wheels brake
Rear inspect and driving confirm	Swing out engine	Emergency brake release
Three joysticks gradual proportional control	Engine anti-restart protection	4 wheels drive
Horn and buzzer safety warnings	Engine preheater	Turntable 360° continuous rotation
Flash light	Emergency stop system	Foot switch
Tilt alarm	Emergency lowering system	2.44m guardrail
Over load sensor	Maximum tilt angle of 5°	

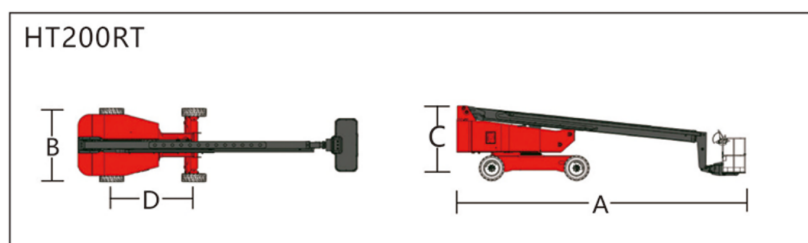
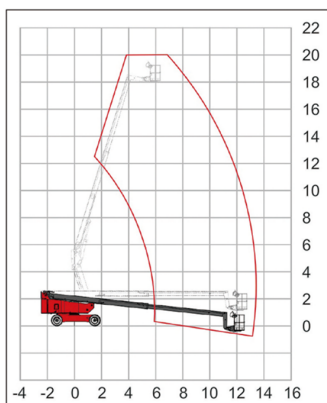
## Options Features

Platform swing gate	Front driving light
Hydraulic oil cooler	AC power source
Hydraulic oil for extremely cold areas	GPS
Alarm packages	
Platform work lights	



# HT SERIES HT200RT SELF-PROPELLED TELESCOPIC BOOMS

Model	HT200RT	
Dimension	Metric	Imperial
Max. Working Height	20m	65ft 7in
Max. Platform Height	18m	59ft 1in
Max. Outreach	12.8m	41ft 12in
Maximum horizontal work amplitude	13.4m	43ft 12in
A Length (stowed)	9.5m	31ft 2in
B Width (stowed)	2.5m	8ft 2in
C Height (stowed)	2.5m	8ft 2in
D Wheelbase	2.8m	9ft 2in
Ground Clearance	0.3m	0ft 12in
Platform Size ((L×W×H)	2.44m*0.9m*1.1m	8ft×2ft11in×3ft7in
Performance		
Lift Capacity	300kg	661lb
Max. Load number	2 pers	2 pers
Drive Speed (Stowed)	4.8km/h	3 mph
Drive Speed (Raised)	1.0km/h	0.6 mph
Gradeability (4WD)	45%	45%
Turntable Rotation (Angle/Continuity)	360°continuous	360°continuous
Platform Rotation	180°	180°
Max. Tilt Angle(Front to Back/ Side to Side)	5°/3°	5°/3°
Turing Radius (Inside/Outside)	2.9/6.15m	9.5ft/20.2ft
Turntable Tailswing	1.2m	3ft 11in
Max. Lateral Force (Restricted/Unrestricted)	400N	90.0lbf
Max. Wind Speed	12.5m/s	27.96mph
Tire Specification/ Type	355/55D625 (foam filled tire)	355/55D625 (foam filled tire)
Power		
Drive wheels number x Steering wheels number	4×2	4×2
Engine (power/speed/specification/brand)	YCF3050-T423 Yuchai//36.8KW State IV	YCF3050-T423 Yuchai//36.8KW State IV
Hydraulic Tank Capacity	150L	39.6 gal
Diesel Fuel Tank Capacity	100L	26.4 gal
Weight		
Total Weight	9375kg	20668 lb



The images in this manual are for illustration only, and all copyrights belong to our company. Due to continuous technological updates, product parameters may change without prior notice.

