

Product Highlights

- ★New exterior design,lightweight, heavy load, wide operating range; Compact structural design, suitable for container and clearing vehicle transportation, low transportation cost.
- ★Lithium power safe and reliable, equipped with BMS system, environmentally friendly, zero emission
- ★ Large capacity battery with strong endurance
- ★ Tilt protection system、 overload protection system、 long angle sensing system、 anti extrusion device,real-time monitoring of platform load and equipment posture, safer
- ★ The product comes standard with an IOT system, paired with an intelligent large screen, allowing users to easily control device status anytime, anywhere, and achieve easy device management."

Safe And Reliable, Good Passability Performance

- ★Equipped with a load sensitive system, the action response is stable, accurate, fast, safe, reliable, and more energy-efficient
- ★ Hydrostatic leveling system for smoother operation
- ★ 40% Gradeability、 floating bridge、 high torque drive, stronger off-road capability, strong power, equipped with efficient driving system, control smoother
- ★ Max. 5° tilt angle, equipped with floating bridge, easily cope with complex conditions"



Standard Features		
Hydraulic leveling platform	Over load sensor	Tilt alarm
180° hydraulic rotation platform	5-inch super-scale colour screen	4 wheel brake
Rear inspect and driving confirm	Diagnosis system	Emergency brake release
Three joysticks gradual proportional control	Emergency stop system	4 wheel drive
Horn and buzzer safety warnings	Emergency lowering system	Foam filled tire
Flash light	Maximum tilt angle of 5°	Foot switch

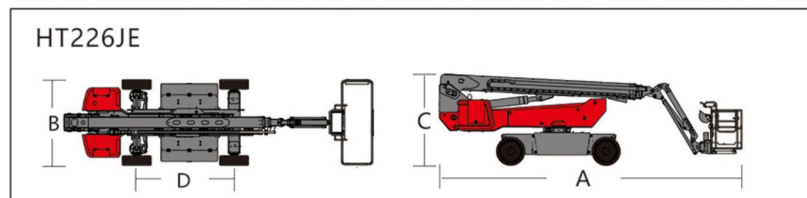
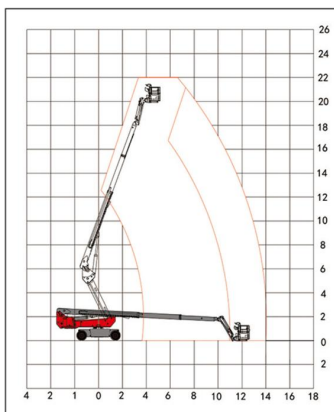
Options Features		
Platform swing gate	Hydraulic oil for extremely cold areas	GPS
Platform alternate railing	Pipeline for extremely cold areas	
Hydraulic oil cooler	AC power source	

HT SERIES

HT226JE

SELF-PROPELLED TELESCOPIC BOOMS

Model	HT226JE	
Dimension	Metric	Imperial
Max. Working Height	22.3m	73ft 2in
Max. Platform Height	20.3m	66ft 7in
Max. Outreach	13.2m	43ft 4in
Maximum horizontal work amplitude	13.8m	45ft 3in
A Length (stowed)	8.93m	29ft 4in
B Width (stowed)	2.47m	8ft 1in
C Height (stowed)	2.7m	8ft 10in
D Wheelbase	2.81m	9ft 3in
Ground Clearance	0.29m	0ft 11in
Platform Size ((L×W×H)	2.4m*0.9m*1.1m	7ft10in×2ft11in×3ft7in
Performance		
Lift Capacity (Restricted/Unrestricted)	454/300kg	999lb/661lb
Max. Load number (Restricted/Unrestricted)	3 pers/2 pers	3 pers/2 pers
Drive Speed (Stowed)	5.0km/h	3.1mph
Drive Speed (Raised)	1.1km/h	0.7mph
Gradeability (4WD)	40%	40%
Turntable Rotation (Angle/Continuity)	360°continuous	360°continuous
Platform Rotation	180°	180°
Max. Tilt Angle(Front to Back/ Side to Side)	5°	5°
Turing Radius (Inside/Outside)	2.4m/5.75m	7ft10in/18ft10in
Turntable Tailswing	2.3m	7ft 7in
Max. Lateral Force (Restricted/Unrestricted)		
Max. Wind Speed		
Tire Specification/ Type	33*12-20 (solid tire)	33*12-20 (solid tire)
Power		
Drive wheels number x Steering wheels number	4×2	4×2
Hydraulic Tank Capacity	140L	37.0 gal
Battery Specifications	48V / 460 Ah (Lithium battery)	48V / 460 Ah (Lithium battery)
Charger (Input Voltage/Output Current)	100-240V AC/60A	100-240V AC/60A
Weight		
Total Weight	9900kg	21825lb



The images in this manual are for illustration only, and all copyrights belong to our company. Due to continuous technological updates, product parameters may change without prior notice.

