

## Product Highlights

### Efficient and Energy-Saving

★The entire series adopts a hydraulic load sensitive system with characteristics of on-demand functions, energy efficiency, low system heating, and long service life.

### Intelligent Control

★The product is controlled by a proportional handle, with more operations controlled by electro-hydraulic proportional control, featuring smooth action and stronger micro movement.

★The product comes standard with an IOT system, paired with an intelligent large screen, allowing users to easily control device status anytime, anywhere, and achieve easy device management

### Safe and Reliable

★The entire series is equipped with a maximum working angle of 5 degrees as standard, with stronger adaptability to the working range and site

★Our product is equipped with floating bridge, which can ensure real-time four-wheel landing and easily handle uneven road conditions, making it safer and more reliable



## Standard Features

Hydraulic leveling platform	5-inch super-scale colour screen	Maximum tilt angle of 5°	Foot switch
180° hydraulic rotation platform	Diagnosis system	Dual speed motor	2.44m guardrail
Rear inspect and driving confirm	Swing out engine	Flow distributing and collecting anti-slip system	
Three joysticks gradual proportional control	Engine anti-restart protection	Foam filled tire	
Horn and buzzer safety warnings	Automatic engine failure shall	4 wheels brake	
Flash light	Engine preheater	Emergency brake release	
Tilt alarm	Emergency stop system	4 wheels drive	
Overload Sensor	Emergency lowering system	Turntable 360° continuous rotation	

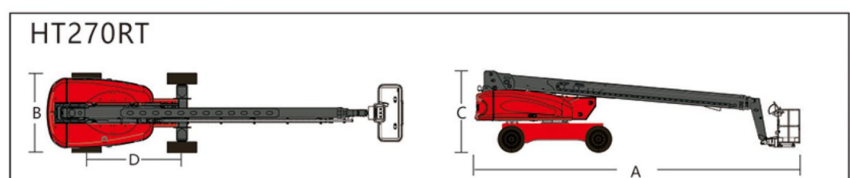
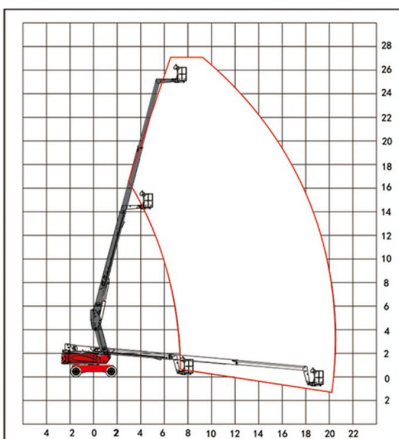
## Options Features

Platform swing gate	Front driving light
Hydraulic oil cooler	AC power source
Hydraulic oil for extremely cold areas	GPS
Alarm packages	
Platform work lights	



# HT SERIES HT270RT SELF-PROPELLED TELESCOPIC BOOMS

Model	HT270RT	
Dimension	Metric	Imperial
Max. Working Height	27m	88ft 7in
Max. Platform Height	25m	82ft 0in
Max. Outreach	19.4m	63ft 8in
Maximum horizontal work amplitude	20.m	65ft 7in
A Length (stowed)	11.168m	36ft 8in
B Width (stowed)	2.5m	8ft 2in
C Height (stowed)	2.8m	9ft 2in
D Wheelbase	3.0m	9ft 10in
Ground Clearance	0.44m	1ft 5in
Platform Size ((L×W×H)	2.44m*0.9m*1.1m	8ft×2ft11in×3ft7in
Performance		
Lift Capacity	300kg	661lb
Max. Load number	3 pers/2 pers	3 pers/2 pers
Drive Speed (Stowed)	5.1km/h	3.2 mph
Drive Speed (Raised)	1.1km/h	0.7 mph
Gradeability (4WD)	45%	45%
Turntable Rotation (Angle/Continuity)	360°continuous	360°continuous
Platform Rotation	180°	180°
Max. Tilt Angle(Front to Back/ Side to Side)	5°/3°	5°/3°
Turing Radius (Inside/Outside)	3.6/6.88m	11.8ft/22.6ft
Turntable Tailswing	1.5m	4ft 11in
Max. Lateral Force (Restricted/Unrestricted)	400N	90.0lbf
Max. Wind Speed	12.5m/s	27.96mph
Tire Specification/ Type	365/14-20;rubber solid tire	365/14-20;rubber solid tire
Power		
Drive wheels number x Steering wheels number	4×2	4×2
Engine (power/speed/specification/brand)	"Deutz TD2.9L4, 55.4KW Euro V Wechai WP2.3NG75E441, 55.4kw State IV"	"Deutz TD2.9L4, 55.4KW Euro V Wechai WP2.3NG75E441, 55.4kw State IV"
Hydraulic Tank Capacity	180L	47.6 gal
Diesel Fuel Tank Capacity	130L	34.3 gal
Weight		
Total Weight	16100kg	35494 lb



The images in this manual are for illustration only, and all copyrights belong to our company.  
Due to continuous technological updates, product parameters may change without prior notice.

