

Product Highlights

- ★Strong work capacity
- ★Safe and Reliable

High Efficiency

- ★The product is controlled by a proportional handle, with more operations controlled by electro-hydraulic proportional control, featuring smooth action and stronger micro movement.
- ★The product comes standard with an IOT system, paired with an intelligent large screen, allowing users to easily control device status anytime, anywhere, and achieve easy device management

Accurately Approach The Target

- ★The product has characteristics of full-scale gradual control, boom amplitude, boom extension and contraction, turntable rotation and driving speed, smooth start and stop, accurately approaching the target
- ★Intelligent maintenance and query



Standard Features

Hydraulic leveling platform	Emergency stop system	Maximum tilt angle of 3°
Over load sensor	Automatic engine failure shall	Flash light
Swing Out Engine	Full-scale handle gradual control	Solid tire
180° hydraulic rotation platform	Engine preheater	Tilt alarm
Display screen	Horn and buzzer safety warnings	360°Turnable rotation
Engine restart protection	Emergency lowering system	
Diagnosis system	Emergency brake release	

Options Features

AC wiring to platform
Outrigger floating device

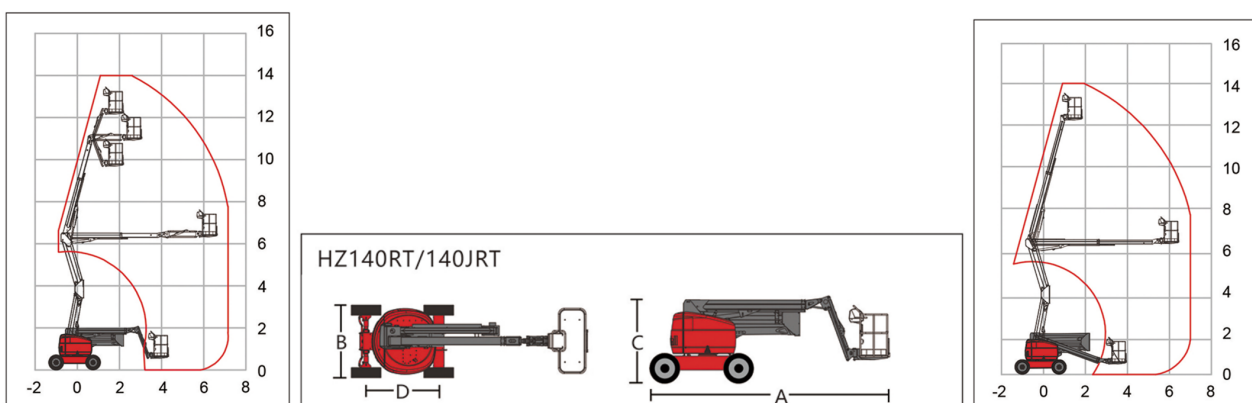


HZ SERIES

HZ140RT/140JRT

SELF-PROPELLED ARTICULATED BOOM

Model	HZ140RT/140JRT	
Dimension	Metric	Imperial
Max. Working Height	14m	45ft 11in
Max. Platform Height	12m	39ft 4in
Max. Outreach	7.01/7.08m	22 ft 11 in / 23 ft 3 in
Max. Up and Over Clearance	6.27/6.5m	20 ft 7 in / 21 ft 4 in
A Length (stowed)	5.63/6.58m	18 ft 5 in / 21 ft 7 in
B Width (stowed)	2m	6ft 7in
C Height (stowed)	2.3m	7ft 7in
D Wheelbase	2m	6ft 7in
Ground Clearance	0.36m	1ft 2in
Platform Size ((L×W×H)	1.8m×0.76m×1.17m	5 ft 11 in × 2 ft 6 in × 3 ft 10 in
Performance		
Lift Capacity	230kg	507 lb
Turntable Rotation	360°non-continuous	360°non-continuous
Platform Rotation	180°	180°
Drive Speed (Stowed)	4.8km/h	3 mph
Drive Speed (Raised)	1km/h	0.6 mph
Gradeability	30%/45%(4WD)	30%/45%(4WD)
Turing Radius (Inside)	2.3m	7ft 7in
Turing Radius (Outside)	4m	13ft 1in
Turntable Tailswing	0	0
Max. Tilt Angle(Front to Back/ Side to Side)	5°/3°	5°/3°
Drive wheels number x Steering wheels number	4×2	4×2
Tire Specification/ Type	33*12-20 (solid tire)	33*12-20 (solid tire)
Power		
Power Source	YCF3050-T423 Yuchai/36.8KW	YCF3050-T423 Yuchai/36.8KW
Control Voltage	DC12V	DC12V
Hydraulic Tank Capacity	70L	18.4 gal
Diesel Fuel Tank Capacity	65L	17.2 gal
Weight		
Total Weight	5600/6300kg	12346 lb / 13889 lb



The images in this manual are for illustration only, and all copyrights belong to our company.
Due to continuous technological updates, product parameters may change without prior notice.

