

Product Highlights

- ★Electric drive, green and environmentally friendly
- ★Zero emissions, meeting the strict requirements of indoor and outdoor emissions on construction sites

Compact Structure

- ★The entire series adopts compact design, while also considering high maintenance, and has stronger ability to operate in narrow and complex working conditions.

Excellent Performance

- ★Equipped with a maximum working angle of 3 degrees as standard, the entire series have stronger adaptability to the working range and site.
- ★230kg load capacity, adaptable to multiple scenarios and working conditions

Low Maintenance Costs

- ★Compared to diesel power, battery maintenance costs are lower, reducing overall operating costs.

Electric Drive

- ★Low cost, low noise, low maintenance, green environmental friendly and energy conservation



Standard Features

Hydraulic leveling platform	Mechanical release of driving brake	Horn and buzzer safety warnings
Automotive grade full tube sheath protection	Platform rotation	Maximum tilt angle of 3°
Tilt alarm	Over load Sensor	Flash light
Emergency stop system	Emergency lowering system	Diagnosis system

Options Features

AC wiring to platform	Manual Box
Non-marking solid tires	T-BOX (GPS)

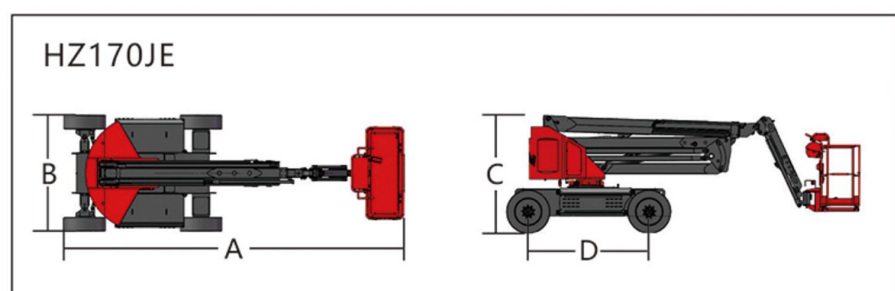
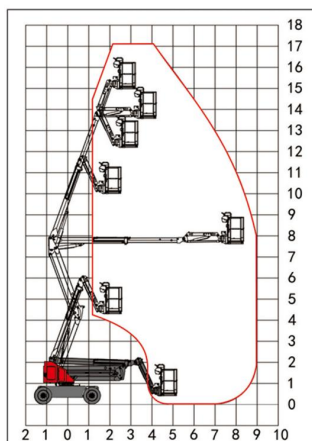


HZ SERIES

HZ170JE

SELF-PROPELLED ARTICULATED BOOM

Model	HZ170JE	
Dimension	Metric	Imperial
Max. Working Height	17.11m	56ft 2in
Max. Platform Height	15.11m	49ft 7in
Max. Outreach	8.37m	27ft 6in
Max. Up and Over Clearance	7.65m	25ft 1in
A Length (stowed)	6.78m	22ft 3in
B Width (stowed)	2.3m	7ft 7in
C Height (stowed)	2.25m	7ft 5in
D Wheelbase	2.32m	7ft 7in
Ground Clearance	0.33m	1ft 1in
Platform Size ((L×W×H)	1.8m×0.76m×1.1m	5ft11in×2ft6in×3ft7in
Performance		
Lift Capacity	300kg	661lb
Turntable Rotation	360°non-continuous	360°non-continuous
Platform Rotation	180°	180°
Drive Speed (Stowed)	5km/h	3.11mph
Drive Speed (Raised)	1km/h	0.62mph
Gradeability	35%	35%
Turing Radius (Inside)	1.1m	3ft 7in
Turing Radius (Outside)	3.5m	11ft 6in
Turntable Tailswing	0	0
Max. Tilt Angle(Front to Back/ Side to Side)	5°/3°	5°/3°
Drive wheels number x Steering wheels number	2×2	2×2
Tire Specification/ Type	600*190 (solid tire)	600*190 (solid tire)
Power		
Battery Specifications	DC48/320Ah	DC48/320Ah
Control Voltage	DC12V	DC12V
Hydraulic Tank Capacity	40L	10.6 gal
Weight		
Total Weight	7500kg	16535 lb



The images in this manual are for illustration only, and all copyrights belong to our company. Due to continuous technological updates, product parameters may change without prior notice.



HZ170JE Mantall

