

Product Highlights

- ★Strong work capacity
- ★Safe and Reliable

High Efficiency

- ★The product is controlled by a proportional handle, with more operations controlled by electro-hydraulic proportional control, featuring smooth action and stronger micro movement.
- ★The product comes standard with an IOT system, paired with an intelligent large screen, allowing users to easily control device status anytime, anywhere, and achieve easy device management

Accurately Approach The Target

- ★The product has characteristics of full-scale handle gradual control, boom amplitude, boom extension and contraction, turntable rotation and driving speed, smooth start and stop, accurately approaching the target
- ★Intelligent maintenance and query



Standard Features

Hydraulic leveling platform	Emergency stop system	Maximum tilt angle of 3°
Over Load Sensor	Automatic engine failure shall	Flash light
Swing Out engine	Full-scale handle gradual control	Solid tire
180° hydraulic rotation platform	Engine preheater	Tilt alarm
Display screen	Horn and buzzer safety warnings	360°Turnable Rotation
Engine restart protection	Emergency lowering system	
Diagnosis system	Emergency brake release	

Options Features

AC wiring to platform
Outrigger floating device

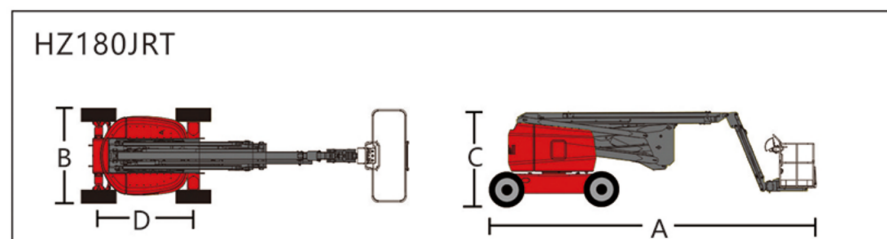
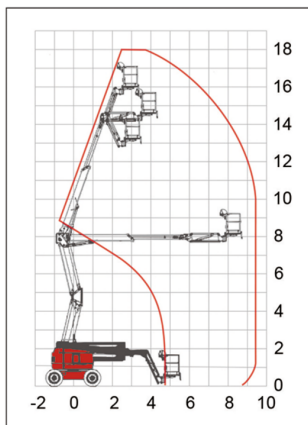


HZ SERIES

HZ180RT/180JRT

SELF-PROPELLED TELESCOPIC BOOMS

Model	HZ180RT/180JRT	
Dimension	Metric	Imperial
Max. Working Height	18m	59ft 1in
Max. Platform Height	16m	52ft 6in
Max. Outreach	9.5m	31ft 2in
Max. Up and Over Clearance	7.6m	24ft 11in
A Length (stowed)	7.5m	24ft 7in
B Width (stowed)	2.3m	7ft 7in
C Height (stowed)	2.5m	8ft 2in
D Wheelbase	2.03m	6ft 8in
Ground Clearance	0.32m	1ft 1in
Platform Size ((L×W×H)	1.8×0.76×1.1m	5 ft 11 in × 2 ft 6 in × 3 ft 7 in
Performance		
Lift Capacity	230kg	507 lb
Turntable Rotation	360°non-continuous	360°non-continuous
Platform Rotation	180°	180°
Drive Speed (Stowed)	4.8km/h	3 mph
Drive Speed (Raised)	1km/h	0.6 mph
Gradeability	45%(4WD)	45%(4WD)
Turing Radius (Inside)	1.7m	5ft 7in
Turing Radius (Outside)	4.5m	14ft 9in
Turntable Tailswing	0	0
Max. Tilt Angle(Front to Back/ Side to Side)	5°/3°	5°/3°
Drive wheels number x Steering wheels number	4×2	4×2
Tire Specification/ Type	355/55D-625 (foam filled tire)	355/55D-625 (foam filled tire)
Power		
Power Source	Yanmar 4TNV88/35.3kw	0.90 lbf
Control Voltage	DC12V	DC12V
Hydraulic Tank Capacity	170L	44.9 gal
Diesel Fuel Tank Capacity	85L	22.5 gal
Weight		
Total Weight	8420kg	18563 lb



The images in this manual are for illustration only, and all copyrights belong to our company. Due to continuous technological updates, product parameters may change without prior notice.

