

Product Highlights

Compact and flexible

- ★ Compact structure, zero sweep, can pass through standard doors
- ★ Small turning radius, flexible movement, capable of small spaces

Energy-saving and stable

- ★ DC motor drive, silence, energy-saving and efficiency, stable operation
- ★ Low maintenance requirements, short downtime for maintenance

Reliable whole machine

- ★ New hood is made of composite materials, not easy to break
- ★ Pins, sleeves, unpainted parts and fasteners are 3 times more durable
- ★ Easy to load and unload



Standard Features

Proportional control	Emergency stop button	Automatic braking system	Overload sensor
Solid Non-marking tires	Diagnosis system	Buzzer	Forklift and lifting holes
Standard platform with median sliding rod	Tilt alarm system	Manual Box	
Emergency lower down	Drivable at full height	Fixed pothole guards	

Options Features

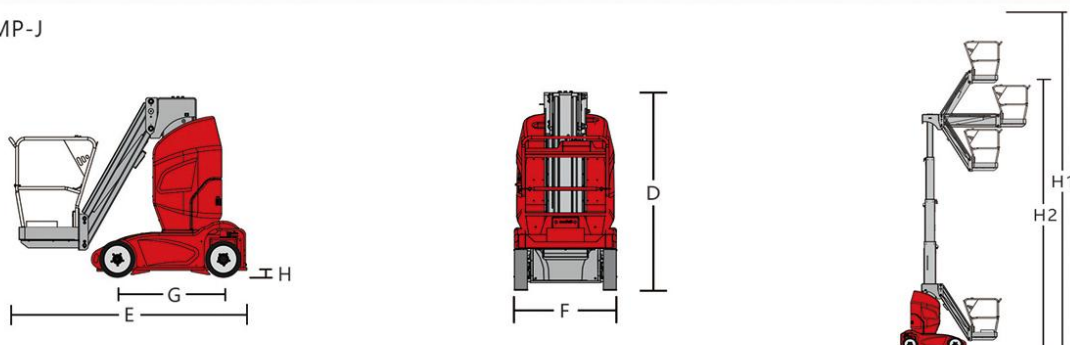
Fiber glass platform	Equipment Protection Cover
Motion alarm	Top Stop Sensor
Tool Box	GPS
Working flashing beacon	Power socket to platform



IMP-J SERIES
IMP-100J
SELF-PROPELLED AERIAL WORK PLATFORM

Model	IMP100J	
Dimension	Metric	Imperial
Max. Working Height H1	10m	32ft 10in
Max. Platform Height H2	8m	26ft 3in
Max. Outreach	3.15m	10ft 4in
Turntable rotation	345°discontinuous	345°discontinuous
Turntable tailswing	0	0
Jib swing	±60	±60
Platform size (L*W*H)	0.91×0.85×1.14m	36in×33in×45in
Length (stowed) E	2.76m	9ft 1in
Width (stowed) F	0.99m	3ft 3in
Height (stowed) D	1.99m	6ft 6in
Wheelbase G	1.2m	3ft 11in
Ground Clearance	0.065m	0ft 3in
Ground clearance	0.03m	0ft 1in
Performance		
Max. Load number	2	2
Lift capacity	200kg	440.92 lb
Drive Speed (stowed)	4.5km/h	3mph
Drive Speed (raised)	0.7km/h	0.4mph
Rising Time	45S	45S
Lowering Time	53S	53S
Gradeability	23%	0.23
Turing Radius(inside/outside)	1.82/0m	72in/0in
Max. tilt	2.5°	2.5°
Tire specification/ type	406×125	406×125
Power		
Battery voltage/capacity	24V/240Ah	24V/240Ah
Control voltage	24V	24V
Drive mode	2WD×2WS	2WD×2WS
Charger input voltage	220V	220V
Charger output current	40A	40A
Hydraulic system volume	8L	2.1 gal
Weight		
Weight	2880kg	6173lb
Standard	GB/CE	GB/CE

IMP-J



The images in this manual are for illustration only, and all copyrights belong to our company. Due to continuous technological updates, product parameters may change without prior notice.

