

Product Highlights

★The IMP120J turntable can rotate 345 ° with zero tail swing, and the front section of the telescopic arm is equipped with a swing oil cylinder, which make the platform rotation range reach $\pm 45^\circ$, significantly increasing the user's operating range.

★ Adopting AC motor drive greatly reduces maintenance costs for users.

★ With 25% gradeability, it can drive 6 km/h and is easy to move and transport.

★ Adopting a unique sleeve style design, the aluminum alloy platform railing, bidirectional control between platform and ground, lower down buzzer warning and emergency lower down switch.



Standard Features

Proportional control	Fault diagnosis system	Buzzer
Solid Non-marking Tires	Tilt sensor	Fixed Pothole guards
Emergency Lower down	Drive at full height	Overload sensor
Emergency stop button	Automatic braking system	Forklift and lifting holes

Options Features

Fiberglass Platform	Air line to platform
Motion alarm	GPS
Tool Box	Platform working light
Top Stop Sensor	Power socket to platform
Platform working light	

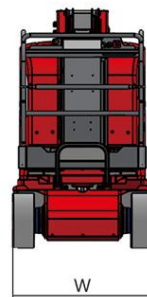
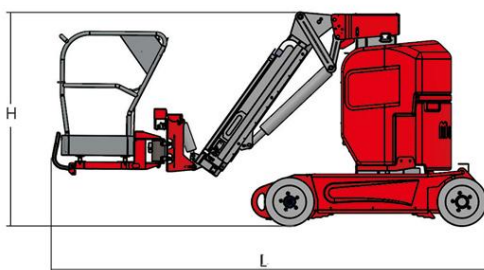
IMP-J SERIES

IMP-120J

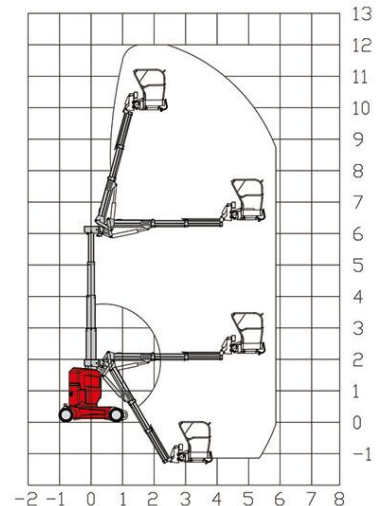
SELF-PROPELLED AERIAL WORK PLATFORM

Model	IMP120J	
Dimension	Metric	Imperial
Max. Working Height	12m	39ft 4in
Max. Platform Height	10m	32ft 10in
Max. Outreach	6m	19ft 8in
Turntable rotation	345°discontinuous	345°discontinuous
Turntable tailswing	0	0
Jib swing	-60°/+75°	-60°/+75°
Platform size (L*W*H)	1.1m×0.8m×1.1m	43in×31in×43in
Length (stowed) L	4.03m	13ft 3in
Width (stowed) W	1.2m	3ft 11in
Height (stowed) H	1.99m	6ft 6in
D Wheelbase	1.6m	5ft 3in
Ground clearance	0.055m	0ft 2in
Ground clearance	0.07m	0ft 3in
Performance		
Max. Load number	2	2
Lift capacity	200kg	441 lb
Driving speed (stowed)	6km/h	4mph
Driving speed (raised)	0.7km/h	0.4mph
Gradeability	25%	0.25
Turning radius (inside/ outside)	0.75m/2.6m	30in/102in
Max. tilt	2.5°	2.5°
Tire specification/ type	457×178×308	457×178×308
Power		
Battery voltage/capacity	48V/240Ah	48V/240Ah
Control voltage	24V	24V
Drive mode	2WD×2WS	2WD×2WS
Charger input voltage	220V	220V
Charger output current	40A	40A
Hydraulic system volume	40L	10.6 gal
Weight		
Weight (indoor/ outdoor)	4770kg	10516 lb
Standard	CE	CE

IMP-J



IMP-J



The images in this manual are for illustration only, and all copyrights belong to our company. Due to continuous technological updates, product parameters may change without prior notice.

