

## Product Highlights

### Easy operation and maintenance

- ★IMP is equipped with fault diagnostic device .
- Emergency lower down ensures the platform down safety when the power is off .
- ★Proportional lifting and drive control ensure the smooth transportation of the equipment.
- ★The top of the IMP series is equipped with a platform for temporary placement of basic operating tools, which increases the convenience of operation.

### Top tool platform

- ★Compact passing capacity
- The width of the entire series of platforms is only 0.8 meters and the height is 1.4 meters, which allows the equipment to enter most manned elevators. The operator can drive the equipment through the doorway,

### Driving and steering

- ★The equipment adopts zero inside turning radius, 30% gradeability, and non-marking solid rubber tires. It can still drive slowly at the highest state, thereby improving productivity.



## Standard Features

Aluminum platform	Double wheel brake
Emergency Lower down	Hydraulic brake release
Proportional raising and driving control	Pothole guards
Diagnosis system	Transportation fixing hole
AC power to platform	Wide type forklift handling notch
Lowering and tilting alarm	Non-mark solid tyre

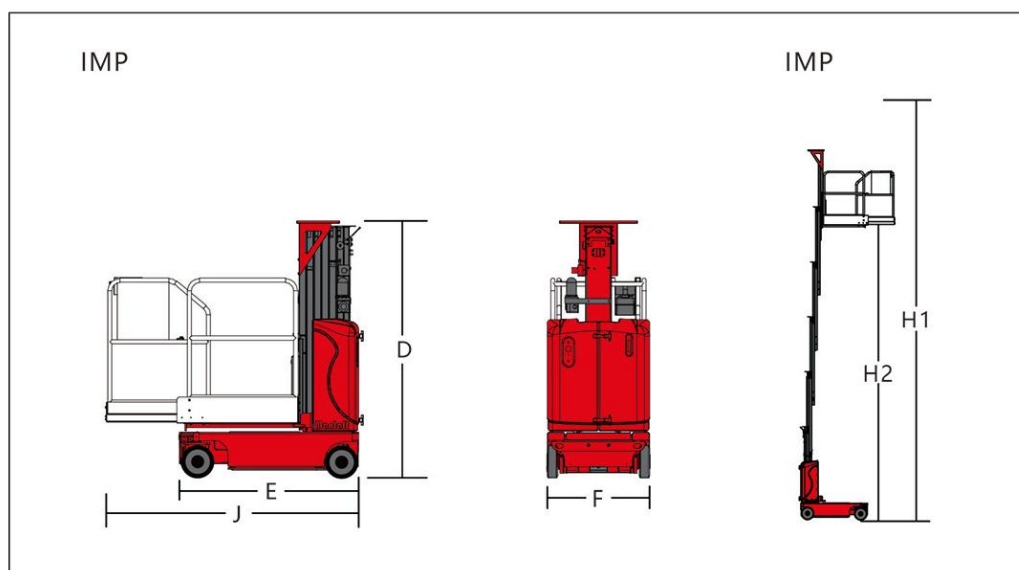
## Options Features

Extendable platform	Top Stop Sensor
Motion alarm	Power socket to platform
Tool box	GPS
Fiber glass platform	Overload Sensor
Equipment Protection cover	Working flashing light



**IMP SERIES**  
**IMP-65**  
**SELF-PROPELLED AERIAL WORK PLATFORM**

Model	IMP65	
Dimension	Metric	Imperial
Working height H1	6.5m	21ft 4in
Platform height H2	4.5m	14ft 9in
Platform size (L*W)	0.9m*0.75m	2ft11in*2ft6in
Platform size with extension	1.5m*0.75m	4ft11in*2ft6in
Stowed size D*E*F	1.6m*1.4m*0.8m	5ft3in*4ft7in*2ft7in
Overall length - extension J	1.9m	6ft 3in
Ground clearance	0.06m	0ft 2in
Lift capacity	230kg	507lb
Lift capacity on extension	115kg	254lb
Raising/ lowering time	20s/18s	20s/18s
Driving speed - stowed	4.0km/h	2.5mph
Driving speed - raised	0.7km/h	0.4mph
Gradeability	30%	30%
Turning radius - inside	0	0
Turning radius - outside	1.42m	4ft 8in
Control	Electrical hydraulic control	Electrical hydraulic control
Power	DC24V225Ah	DC24V225Ah
Hydraulic tank capacity	8.5L	2.2 gal
Tire	non-mark tyre 250mm*80mm*200mm	non-mark tyre 10in*3in*8in
Weight	1015kg (European standard)	2238 lb



The images in this manual are for illustration only, and all copyrights belong to our company. Due to continuous technological updates, product parameters may change without prior notice.

