

Product Highlights

Easy operation and maintenance

- ★IMP is equipped with fault diagnostic device .
Emergency lower down ensures the platform down safety when the power is off .
- ★Proportional lifting and drive control ensure the smooth transportation of the equipment.
- ★The top of the IMP series is equipped with a platform for temporary placement of basic operating tools, which increases the convenience of operation.

Top tool platform

- ★Compact passing capacity
The width of the entire series of platforms is only 0.8 meters and the height is 1.4 meters, which allows the equipment to enter most manned elevators. The operator can drive the equipment through the doorway,

Driving and steering

- ★The equipment adopts zero inside turning radius, 30% gradeability, and non-marking solid rubber tires. It can still drive slowly at the highest state, thereby improving productivity.



Standard Features

| | |
|--|-----------------------------------|
| Aluminum platform | Double wheel brake |
| Emergency Lower down | Hydraulic brake release |
| Proportional raising and driving control | Pothole guards |
| Diagnosis system | Transportation fixing hole |
| AC power to platform | Wide type forklift handling notch |
| Lowering and tilting alarm | Non-mark solid tyre |

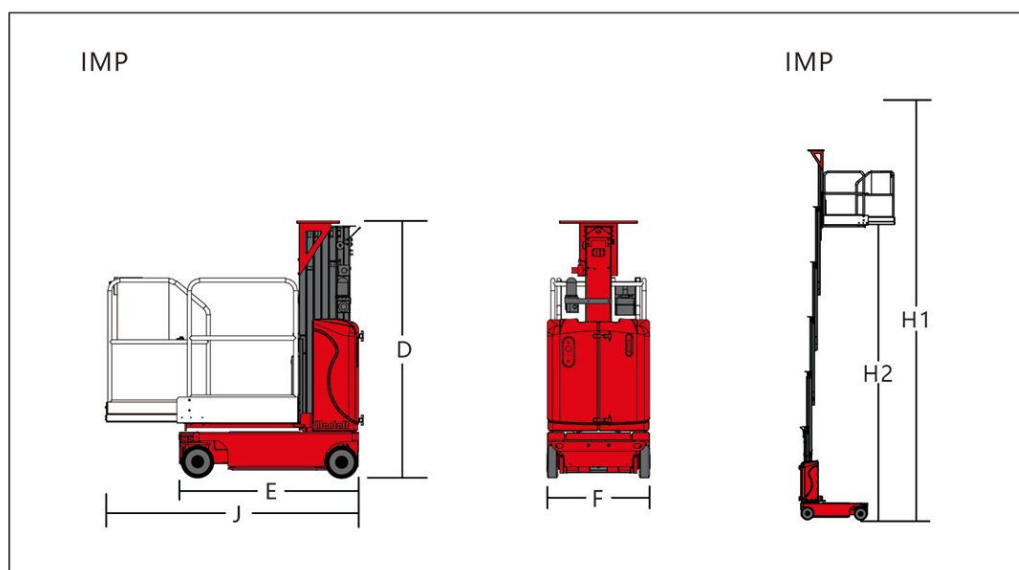
Options Features

| | |
|----------------------------|--------------------------|
| Extendable platform | Top Stop Sensor |
| Motion alarm | Power socket to platform |
| Tool box | GPS |
| Fiber glass platform | Overload Sensor |
| Equipment Protection cover | Working flashing light |



IMP SERIES
IMP-80
SELF-PROPELLED AERIAL WORK PLATFORM

| Model | IMP80 | |
|------------------------------|--------------------------------|------------------------------|
| Dimension | Metric | Imperial |
| Working height H1 | 8m | 26ft 3in |
| Platform height H2 | 6m | 19ft 8in |
| Platform size (L*W) | 0.9m*0.75m | 2ft11in*2ft6in |
| Platform size with extension | / | / |
| Stowed size D*E*F | 2m*1.4m*0.8m | 6ft7in*4ft7in*2ft7in |
| Overall length - extension J | 1.9m | 6ft 3in |
| Ground clearance | 0.06m | 0ft 2in |
| Lift capacity | 160kg | 353lb |
| Lift capacity on extension | 115kg | 254lb |
| Raising/lowering time | 24s/21s | 24s/21s |
| Driving speed - stowed | 4.0km/h | 2.5mph |
| Driving speed - raised | 0.7km/h | 0.4mph |
| Gradeability | 30% | 30% |
| Turning radius - inside | 0 | 0 |
| Turning radius - outside | 1.42m | 4ft 8in |
| Control | Electrical hydraulic control | Electrical hydraulic control |
| Power | DC24V225Ah | DC24V225Ah |
| Hydraulic tank capacity | 8.5L | 2.2 gal |
| Tire | non-mark tyre 250mm*80mm*200mm | non-mark tyre 10in*3in*8in |
| Weight | 996kg (American Standard) | 2196 lb |



The images in this manual are for illustration only, and all copyrights belong to our company. Due to continuous technological updates, product parameters may change without prior notice.

